

**Watson-Marlow Pumps Group**  
 Telephone +44 (0) 1326 370370  
 Fax +44 (0) 1326 376009  
 E-mail: info@wmpg.co.uk  
 www.wmpg.com

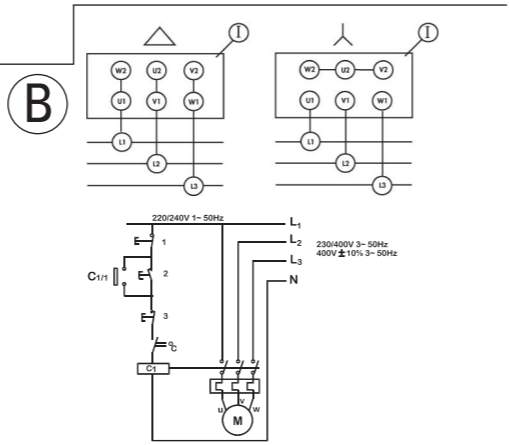
A Spirax Sarco Engineering Company



The information contained in this document is believed to be correct, but the Watson-Marlow Pumps Group accepts no liability for any errors it contains, and reserves the right to alter specifications without notice.

**WARNING**  
 This product is not designed for use in, and should not be used for, patient-connected applications.

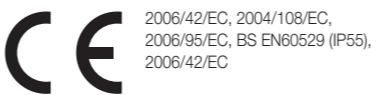
PB0286/10



621F/RE, 621F/R	18.5kg	621TI/RE4	20.0kg
621F/RE4	19.0kg	621TIX/RE	23.0kg
621DF/RE, 621DF/R	29.5kg	621TI/R	23.0kg
621DF/RE4	30.0kg	621I/R	19.5kg
621FX/RE, 621FX/R	22.0kg	621I/RE	19.5kg
621FX/RE4	30.0kg	621I/RE4	20.0kg
621DFX/RE, 621DFX/R	37.0kg	621IX/R	23.0kg
621DFX/RE4	38.0kg	621IX/RE	23.0kg
621DV/R, 621DV/RE	38.0kg	621IX/RE4	23.5kg
621DV/RE4	38.5kg		
621TI/RE, 621TI/R	19.5kg		



DS Cole  
 David Cole, Managing director



621CC

